

# NE-NVP-2DC

Vandal Proof Sub Station with Standard Call Button

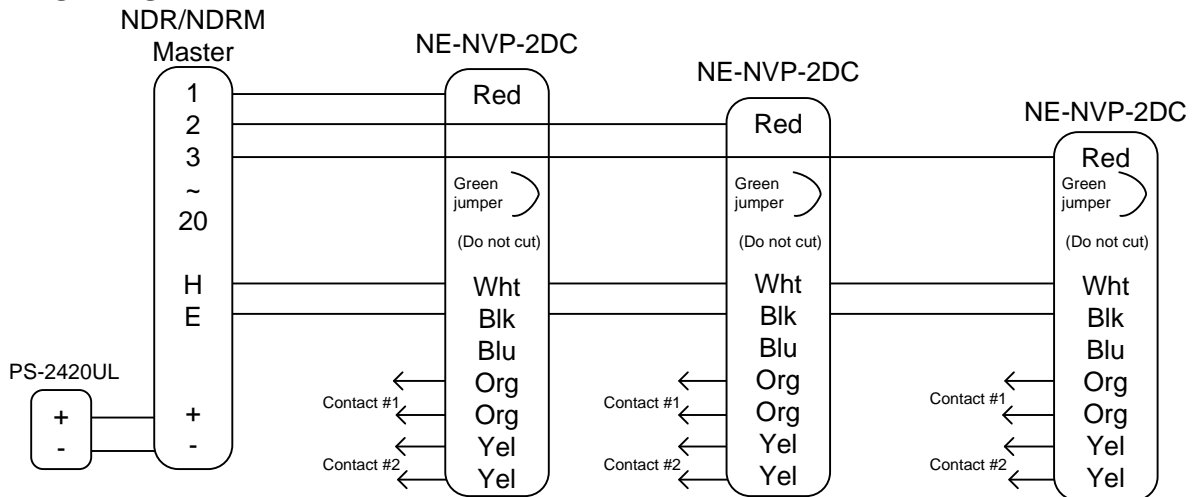
and Red Emergency Call Button

Equipped with DPDT Contacts

## - INSTRUCTIONS -

The NE-NVP-2DC is a vandal proof sub station designed for use with the NDR or NDRM system. It is constructed of 11 gauge carbon steel with a white powder-coated finish. The NE-NVP-2DC can be flush or surface mounted and includes tamper proof screws and a wrench for installation.

### WIRING DIAGRAM:



### NOTES:

1. Do not cut the green jumper on the circuit board unless an external call-placed lamp is installed at the sub station.
2. Red Duress call button on sub station provides two sets of alternate action N/O contacts (Orange/Yellow pairs). Both contacts are activated by push on/push off function of Duress button. (Open when off, closed when on.)
3. NE-NVP-2DC flush mounts into a 3-gang masonry type box (Raco #692, 697, or equivalent.)
4. Surface mount box for NE-NVP-2DC is model SBX-NVP, sold separately.

### SPECIFICATIONS:

Power Source:	Supplied by master station
Speaker:	20 ohms, 3" diameter, water proof and puncture resistant, 2.5 oz. ceramic magnet
Call Button:	SPST, normally open push button. Red button: Activates DPDT N/O contacts (ORG/YEL pairs). DPDT Relay Contacts: 6A @ 125V AC or 6A @ 30V DC. Min. 25,000 operations
Faceplate:	11 gauge carbon steel with powder-coated white baked epoxy finish
Call Annunciation:	Standard call button at sub latches call at NEM master until answered. Red emergency button is "push-on, push-off", which activates or deactivates DPDT contacts and red LED. "Push-on" activates relay and LED, "push-off" deactivates them.
Communication:	Hands free at sub. Master is push-to-talk or VOX with handset.
Terminal Definitions:	RED: Station # BLACK: to "E" (Common) WHITE: to "H" (12 VDC - Powers DPDT contacts and LED)
Wiring:	Communication and standard call: 3 conductors homerun; or 2 common plus 1 individual per sub, looped through each sub. Shielded cable is recommended. Use Aiphone #822203 or #821803 for homerun wiring, #822206 for up to 4 stations. DPDT contacts require 4 additional wires from each sub station.
Wiring Distance:	420' with 22AWG; 1,000' with 18AWG (standard call and communication).
Dimensions (H x W x D):	NE-NVP-2DC alone: 7-1/2" x 5-1/2" x 2". With SBX-NVP: 8-5/8" x 6-5/8" x 2-1/4"