

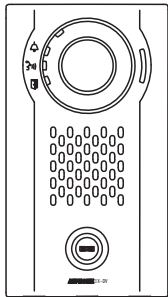
# IXS-HBDV

## Preprogrammed IX Box Set

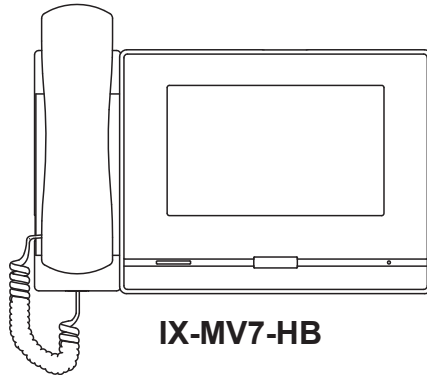
### GENERAL OVERVIEW

The IXS-HBDV is a preprogrammed box set including one IX-DV, one IX-MV7-HB, one PoE switch, and a USB drive. The USB drive includes the configuration file and instructional videos on how to add components, which are outlined below, to the system.

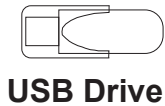
#### Contents



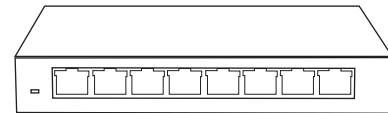
IX-DV



IX-MV7-HB



USB Drive



PoE Switch

#### USB Contents

- IX Series Kit Configuration
- Video 1 - Import IX Series Configuration File
- Video 2 - Date and Time
- Video 3 - Adding a Door Station
- Video 4 - Adding a Master Station
- Video 5 - Adding an IXW-MA

#### Getting Started

- Step 1 Unpack contents. Store the USB drive in a safe place as it contains the system's configuration file and "how-to" videos.
- Step 2 Plug the PoE switch into a 110V AC outlet.
- Step 3 Connect IX-DV and IX-MV7-HB to the PoE switch using Cat-5e/6 cable (not provided).  
It does not matter which port you plug them into.
- Step 4 Wait for a solid blue light on the IX-DV and IX-MV7-HB to indicate that the stations have properly powered up.  
This should take approximately 1 minute.

#### Optional Steps (Recommended)

*Note: The videos and configuration file referenced below are found on the supplied USB drive.*

- Step 5 Watch video 1 to import the configuration file onto your PC.
- Step 6 Watch video 2 to change date and time settings.

#### Optional Steps

- Step 7 Watch video 3 to add more door stations to the system.
- Step 8 Watch video 4 to add more master stations to the system.
- Step 9 Watch video 5 to add an IXW-MA network relay to the system.