

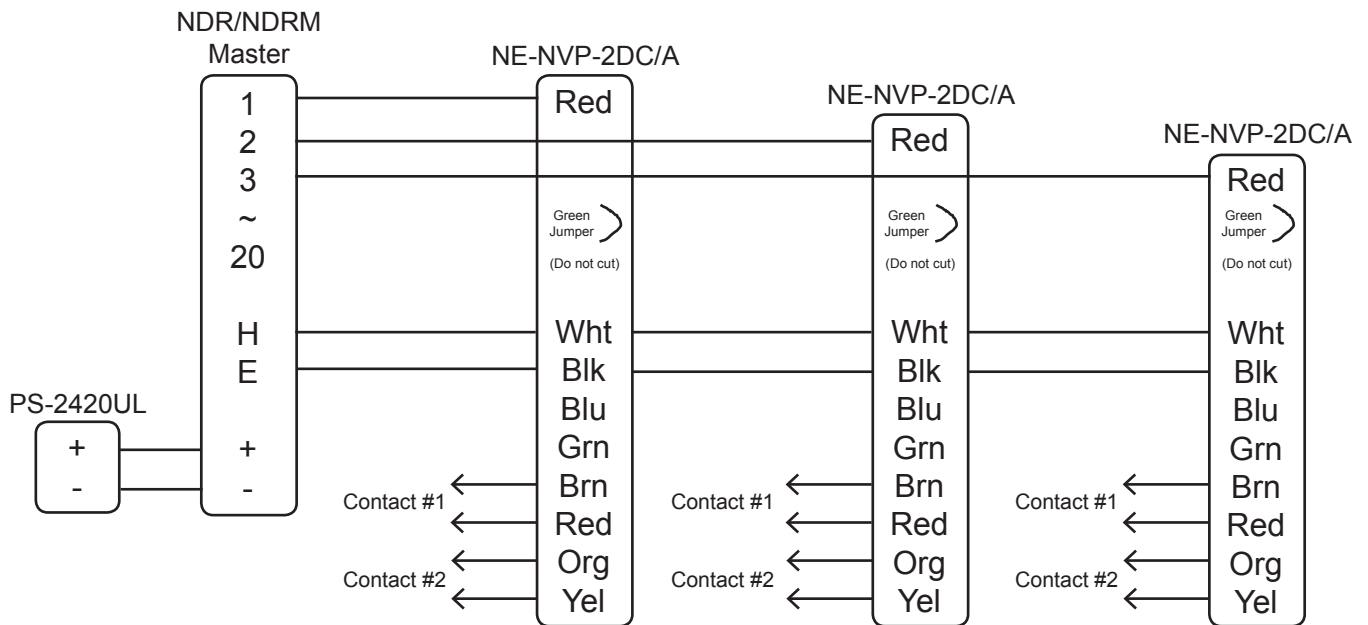
NE-NVP-2DC/A

Vandal Proof Sub Station with Standard Call Button and Red Emergency Call Button Equipped with DPDT Contacts

-INSTRUCTIONS-

The NE-NVP-2DC/A is a vandal proof sub station compatible with the IX-1AS/10AS network adaptors and the NDR / NDRM systems. It is constructed of 11 gauge carbon steel with a white powder-coated finish. The NE-NVP-2DC/A can be flush or surface mounted and includes tamper proof screws and a wrench for installation.

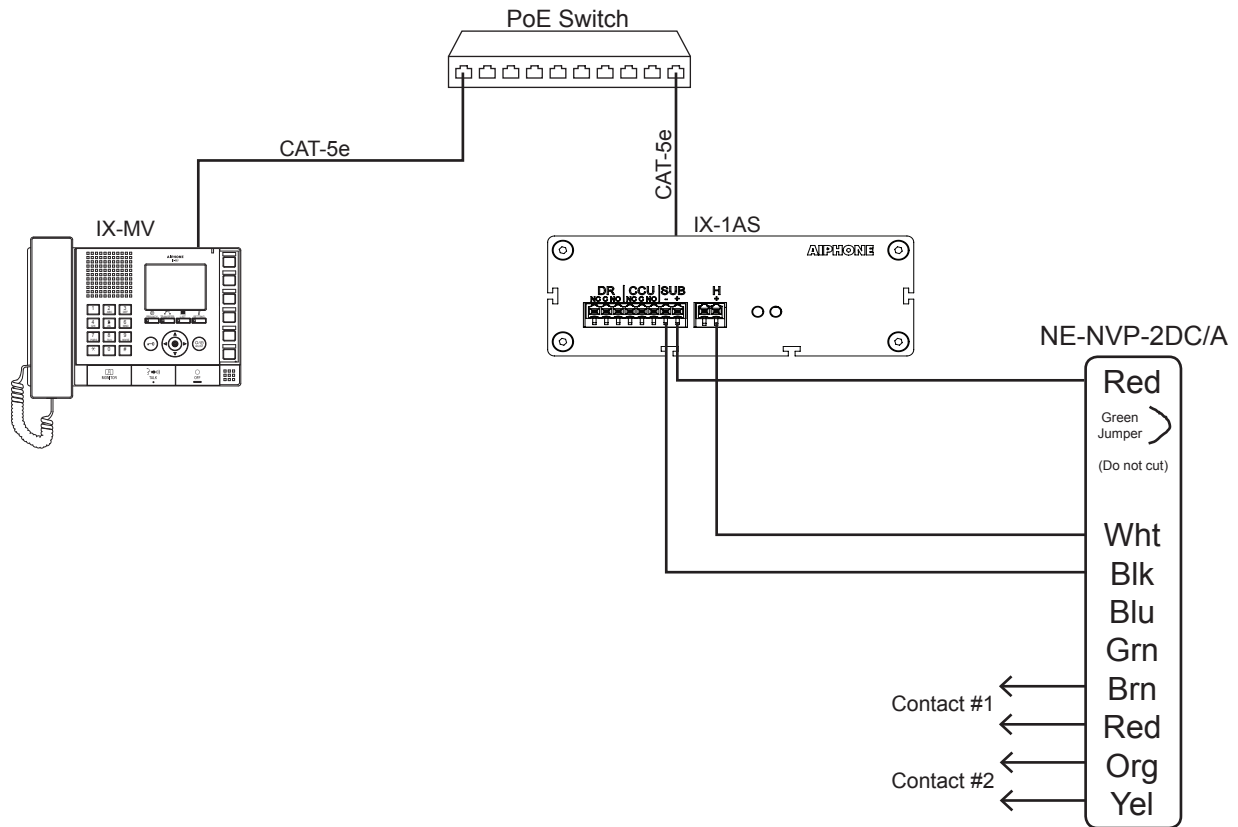
WIRING DIAGRAM (NDR/NDRM):



NOTES:

1. Do not cut the green jumper on the circuit board unless an external call-placed lamp is installed at the sub station.
2. Red Duress call button on sub station provides two sets of alternate action N/O contacts (Brown/Red & Orange/Yellow pairs). Both contacts are activated by push on/push off function of Duress button (Open when off, closed when on).
3. NE-NVP-2DC/A flush mounts into a 3-gang masonry type box (Raco #692, 697, or equivalent).
4. Surface mount box for NE-NVP-2DC/A is model SBX-NVP, sold separately.

WIRING DIAGRAM (IX-1AS):



NOTES:

1. Do not cut the green jumper on the circuit board.
2. Red Duress call button on sub station provides two sets of alternate action N/O contacts (Brown/Red & Orange/Yellow pairs). Both contacts are activated by push on/push off function of Duress button (Open when off, closed when on).
3. NE-NVP-2DC/A flush mounts into a 3-gang masonry type box (Raco #692, 697, or equivalent).
4. Surface mount box for NE-NVP-2DC/A is model SBX-NVP, sold separately.

SPECIFICATIONS:

| | |
|-------------------------|---|
| Power Source: | Supplied by master station or IX-1AS adaptor |
| Speaker: | 20 ohms, 2-1/2" diameter, water proof and puncture resistant, 2.4 oz. ceramic magnet |
| Call Button: | SPST, normally open push button. Red button: Activates DPDT N/O contacts (Brn/Red, Org/Yel pairs). DPDT Relay Contacts: 6A @ 125V AC or 6A @ 30V DC. Min. 25,000 operations |
| Faceplate: | 11 gauge carbon steel with powder-coated white baked epoxy finish |
| Call Annunciation: | Standard call button at sub latches call at NDR/NDRM master until answered. IX-MV master rings based on incoming call settings for station. Red emergency button is "push-on, push-off", which activates or deactivates DPDT contacts and red LED. "Push-on" activates relay and LED, "push-off" deactivates them. |
| Communication: | Hands free at sub. |
| Terminal Definitions: | RED: to Station # (+) BLACK: to "E" (-) WHITE: to "H" (12 VDC - Powers DPDT contacts and LED) GREEN: For use with LEW-5NE BLUE: For use with a local corridor lamp |
| Wiring: | Communication and standard call: 3 conductors homerun. Shielded cable is recommended. Use Aiphone #822203 or #821803. DPDT contacts require 4 additional wires from each sub station. |
| Wiring Distance: | 420' with 22AWG; 1,000' with 18AWG (standard call and communication). |
| Dimensions (H x W x D): | NE-NVP-2DC/A alone: 7-1/2" x 5-1/2" x 2". With SBX-NVP: 8-5/8" x 6-5/8" x 2-1/4" |