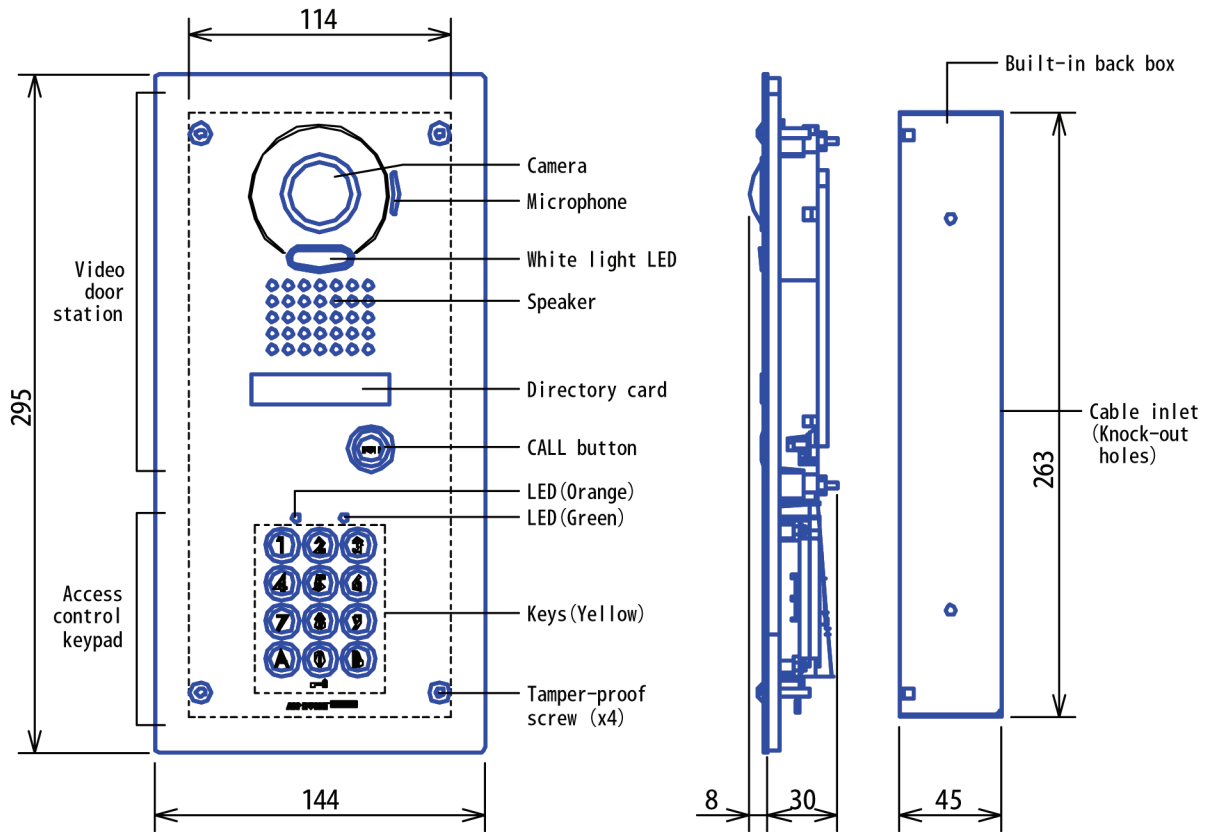
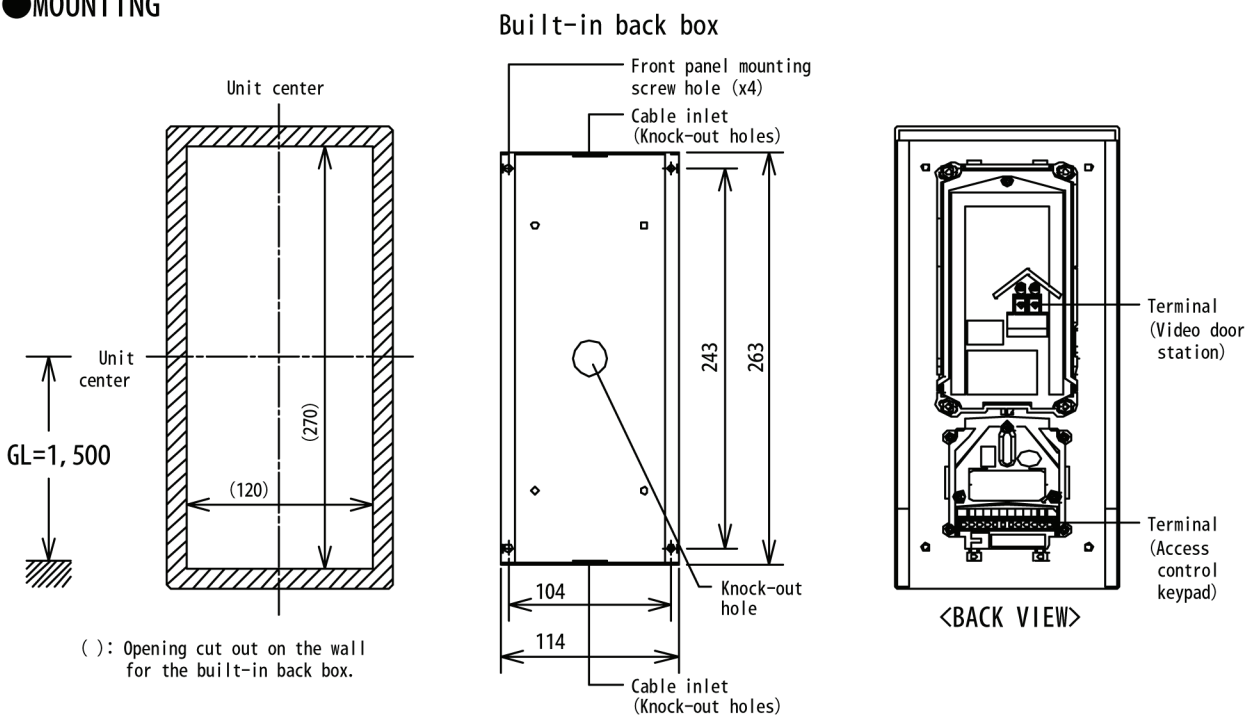


PRODUCT DRAWING



MOUNTING



DESCRIPTION (Color, Vandal-resistant)
VIDEO DOOR STATION WITH ACCESS CONTROL KEYPAD

FIG. NAME
PRODUCT DRAWING

UNIT
mm

DATE
7 October, 2009

MODEL NO.
JK-DVF-AC

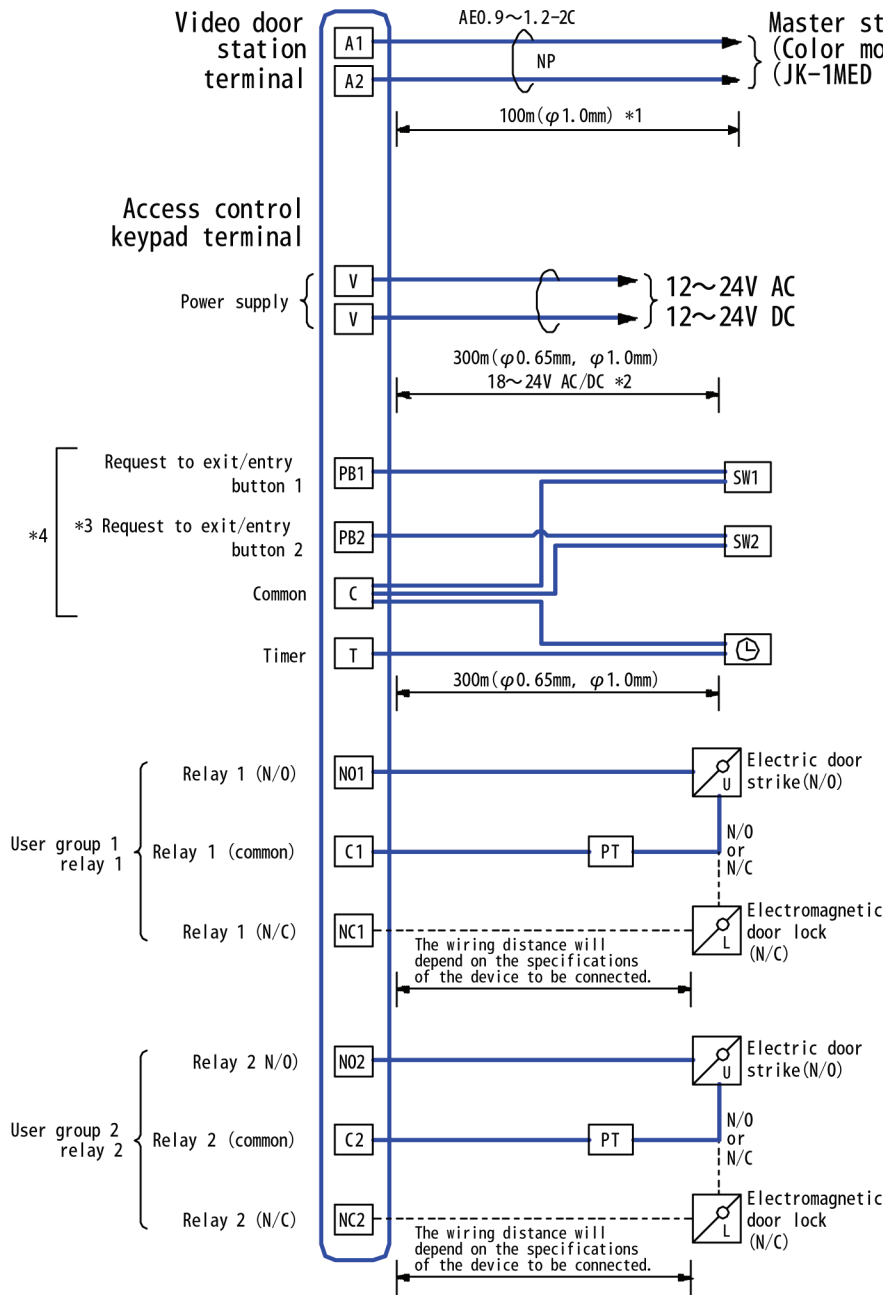
FIG. NO.
56928-1-5

PAGE
1/5

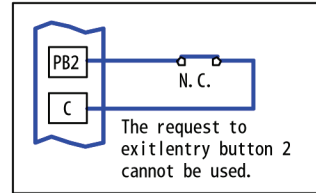
REVISION
1

AIPHONE

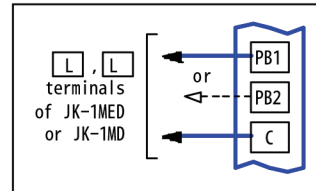
WIRING DIAGRAM



- *1. When sub master station is connected, the distance between door and sub master will be 100m.
- *2. When 12~less than 18V AC/DC 100m(φ0.65mm, φ1.0mm)
- *3. Auto-relock / External output by forced entry (sensor connection)



- *4. Wires for door releasing from Master station can be added



Request to exit/entry button • Timer

Minimum overload	100mV DC, 0.1mA or above
Contact capacity	3V DC, 0.1A or above

Dry contacts output

Relay contact capacity	24V DC, 3A (resistive load) 1A (inductive load)
	24V AC, 3A (resistive load) 1A (inductive load)

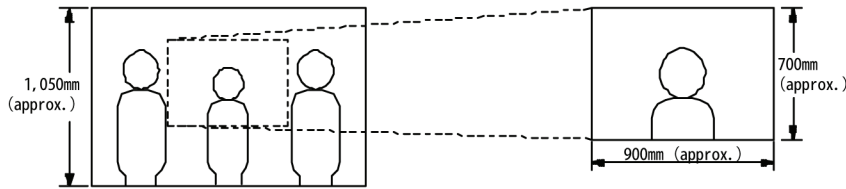
Wiring distance

	Power supply	diameter φ0.65~φ1.0mm
Unit~(Sub)Master station	—	100m
Unit~Power supply	12~18V(Less than) AC/DC	100m
	18~24V AC/DC	300m
Unit~Request to exit/entry button • Timer	—	300m
Unit~(RY)	The wiring distance will depend on the specifications of the device to be connected.	

DESCRIPTION (Color, Vandal-resistant) VIDEO DOOR STATION WITH ACCESS CONTROL KEYPAD	FIG. NAME WIRING DIAGRAM	UNIT mm	DATE 7 October, 2009
MODEL NO. JK-DVF-AC	FIG. NO. 56928-2-5	PAGE 2/5	REVISION 1
			AIPHONE

■ IMAGE VIEW AREA & MOUNTING HEIGHT

● Wide

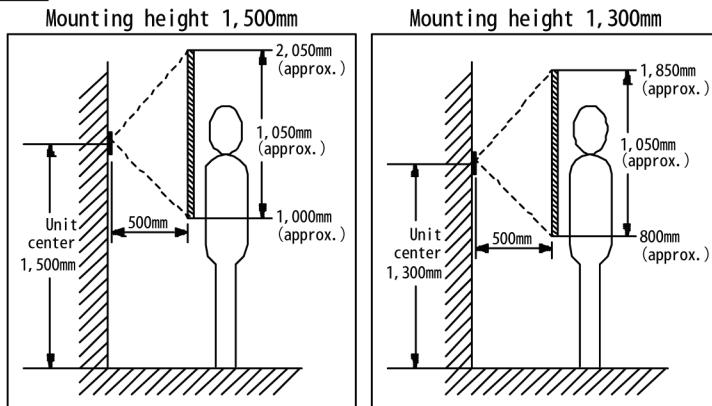


● Zoom

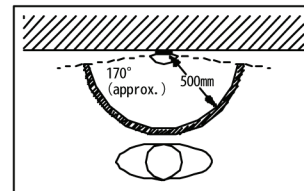
- Objects appear smaller due to greater distortion in the surrounding sections compared to the central section, but a wider area is displayed.
- Image view area depends on the camera zoom position.

● Wide

Vertical

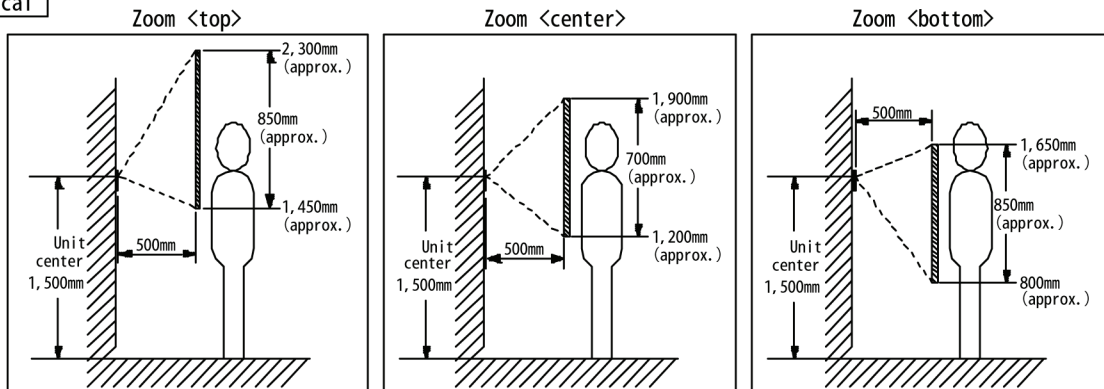


Horizontal

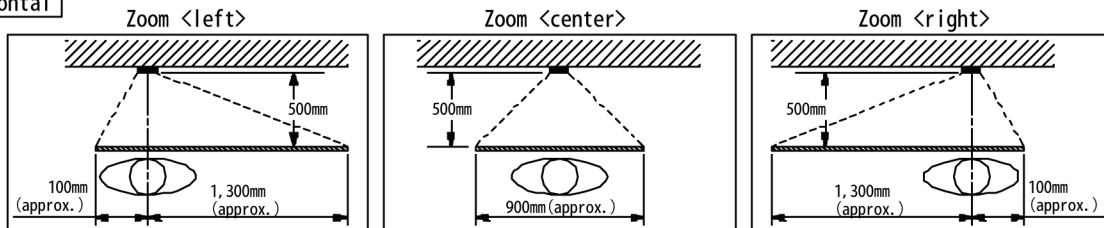


● Zoom (Mounting height: 1,500mm)

Vertical



Horizontal

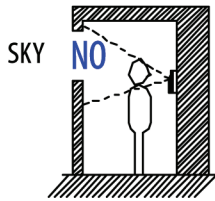


DESCRIPTION VIDEO DOOR STATION WITH ACCESS CONTROL KEYPAD (Color, Vandal-resistant)	FIG. NAME IMAGE VIEW AREA	UNIT mm	DATE 7 October, 2009
MODEL NO. JK-DVF-AC	FIG. NO. 56928-3-5	PAGE 3/5	REVISION 1
			AIPHONE

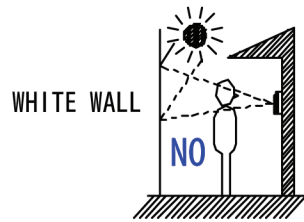
■ RESTRICTIONS

<Video door station>

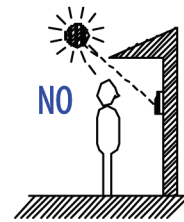
- JK-DVF-AC is exclusively used with JK Series Master stations.
- Avoid to install JK-DVF-AC in the following locations;



At the Entrance where background is sky in upper floors of Condominiums, etc.



The background of the standing caller's is white wall.



Where the standing location is strongly sunlit.

<Access control Keypad>


- Auto-relock function is available only at the entrance with relay 1.
- The door sensor can be connected only to the terminals (**PB2** and **C**) for the request to exit/entry button 2 for relay 2.
- When the door sensor is installed in the system, the request to exit/entry button 2 can not be connected to **PB2** and **C** .
- When the user code length has been changed, the master code length is the same number of digits with the user code (4-6 digits).
- The volume of tone (Operation tone, sounding of buzzer etc.) from the JK-DVF-AC unit will be reduced depending on the mounting condition.

■ FUNCTIONS

<Video door station>

- Initiating a call to and entering communication with Master station (JK-1MED or JK-1MD)

<Access control keypad>

- Two independent relay outputs (N/O or N/C) are available.
- Programmable up to 100 access codes (Relay 1: up to 60, Relay 2: up to 40)
- When the registered user code has been input using the keypad (between 4 and 6 digits), the electric door strike is unlocked.
- Lock-out: If several incorrect access codes are attempted, the code input function is disabled for a programmed period of time. (Setting required)
- External output for alarming or other security devices: When "Lockout" or "Forced entry" occurs, external output is available. (Setting required)
- Auto-relock (Anti-tailgate): After the door has been linked to the door open/close sensor (N/C), and unlocked, it will relock itself one second after being closed, thus preventing the entry of an unauthorized third party. (Setting required)
- The system can be set to unlock the door by pressing the  key within the set time and linking it to the external timer (N/O). (Setting required)

DESCRIPTION (Color, Vandal-resistant) VIDEO DOOR STATION WITH ACCESS CONTROL KEYPAD	FIG. NAME RESTRICTIONS/FUNCTIONS	UNIT mm	DATE 7 October, 2009
MODEL NO. JK-DVF-AC	FIG. NO. 56928-4-5	PAGE 4/5	REVISION 1 AIPHONE

■SETTING (Access control keypad)

<Required setting item>

- Up to 100 user codes
Relay 1: 60, Relay 2: 40

<Optional setting items>

- Key illumination time: 10 to 99 seconds, or continually lit (Default: 10 Sec.)
- Relay output time: 1 to 99 seconds, or latched (Default: 3 Sec.)
- Code (Both user/master codes) length: 4~6 digits (Default: 4 digits)
- External output: ON/OFF (Default: OFF)
- Lockout: ON/OFF (Default: OFF)
- Auto-relock: ON/OFF (Default: OFF)
 - Invalid number of times: 10 - 99
 - Invalid time: 10 - 99
- Timer-linked unlocking: Relay 1/Relay 2/ Relay 1 & 2 (Default: Relay 1 only)
 - 0 key illumination: ON/OFF (Default: OFF)
- Operation tone setting: ON/OFF (Default: ON)

■SPECIFICATIONS

Ambient temperature	-10~60°C		
Mounting	Flush mount		
Housing	Front panel: Stainless steel. Back box: Steel plate		
Weight	890g (approx.) (1.8 lbs), back box 600g (approx.) (1.2 lbs)		
Unit color	Stainless steel, vertical hair-line processed.		
Remarks	Weather-resistant (JIS C 0920 Protection Class 3 equivalent)		
Video door station			
Power source	Supplied from Master station (JK-1MED or JK-1MD)		
Type of communication	Open voice hands-free communication		
Camera	1/4 inch color CMOS		
Minimum illumination	5 Lux		
Camera angle	Wide: 170° (approx.) (Horizontal)		
Access control Keypad			
Power source	12~24V AC or 12~24V DC		
Current consumption	AC: 100mA (max.) DC: 70mA (max.)		
Number of relay circuits	2		
Relay contact	N/O, N/C		
Relay contact capacity	24V DC, 3A (resistive load) 1A (inductive load)		
	24V AC, 3A (resistive load) 1A (inductive load)		
User code	Up to 100 user codes (Relay 1: 60, Relay 2: 40)		
Number of request to exit /entry button	2		
Request to exit/entry button • Timer	Minimum overload :100mV DC, 0.1mA or above		
	Contact capacity: 3V DC, 0.1A or above		
DESCRIPTION (Color, Vandal-resistant) VIDEO DOOR STATION WITH ACCESS CONTROL KEYPAD	FIG. NAME SPECIFICATIONS/SETTING	UNIT mm	DATE 7 October, 2009
MODEL NO. JK-DVF-AC	FIG. NO. 56928-5-5	PAGE 5/5	REVISION 1 AIPHONE