



DESCRIPTION

The IX-PA is a paging adaptor designed for use with the Aiphone IX Series network intercom system. The paging adaptor has an address book that supports up to 50 stations and can be connected to 3rd party devices. The paging adaptor can be accessed by an IX-MV or IX-MV7 master station or a device using the IX Mobile app to allow messages to be broadcast through the 600Ω or 8Ω output. A 3rd party device can be connected to the audio input to send messages to the paging adaptor's address book.

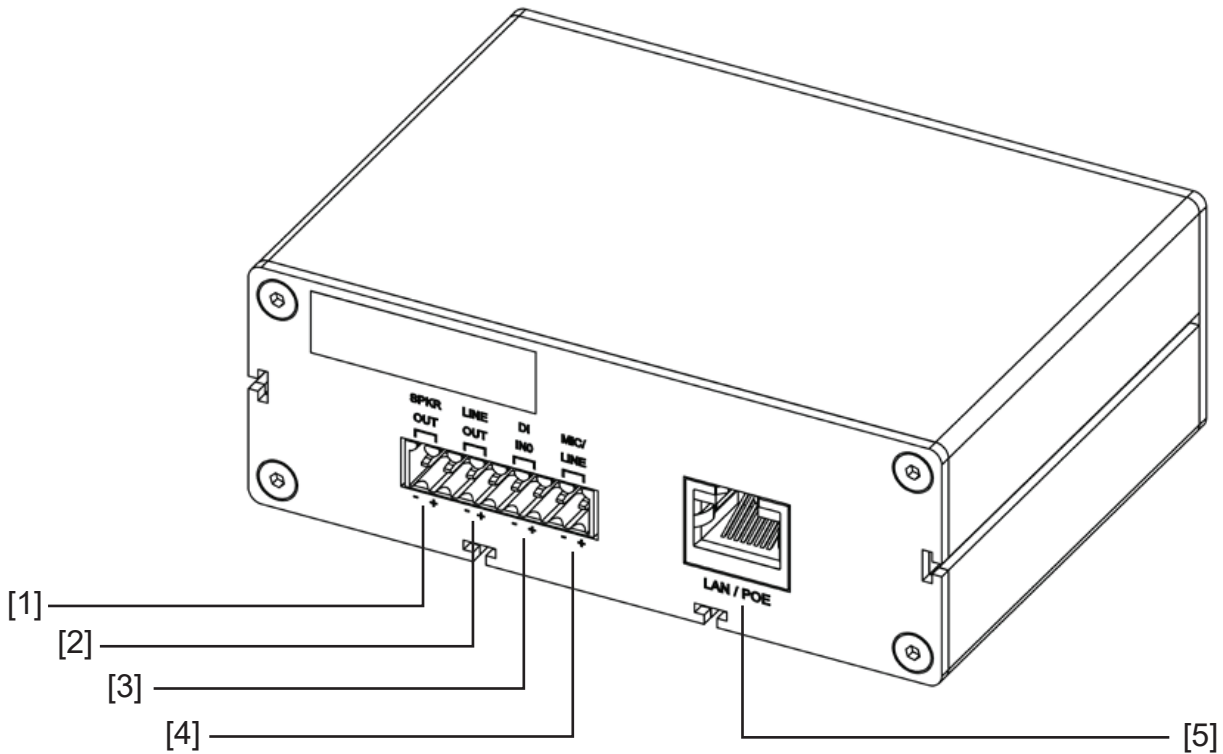
FEATURES

- 8Ω, 5 watt speaker output
- 600Ω line output
- Microphone / Line input
- 50 station address book
- Connects using CAT-5e/6 cable
- 802.3af PoE compliant

IX-PA

Network Paging Adaptor for IX Series

CONNECTION CALL-OUT:



FEATURE CALL-OUT DEFINITIONS

- [1] Speaker 8 Ω , 5 watt output
- [2] Line out 600 Ω
- [3] Trigger input
- [4] Line level input
- [5] CAT-5e/6 network connection (PoE only)

SPECIFICATIONS

Power Source:	802.3af PoE
Paging capacity:	50 IX Series stations and/or 1 amplifier
Mounting:	DIN rail (supplied)
Wiring:	CAT-5e or CAT-6
Wiring distance:	328'
Temperature:	32-122°F (0-50°C)
Dimensions:	1-1/2" H x 4-1/4" W x 3-1/16" D
Weight:	Approx. 0.6 lbs (272g)
Protocols:	TCP/IP, UDP,RTP,DHCP
Line Out:	Transformer isolated, balanced (600 Ω)
Line Input:	2k Ω input impedance, 2.9VDC