

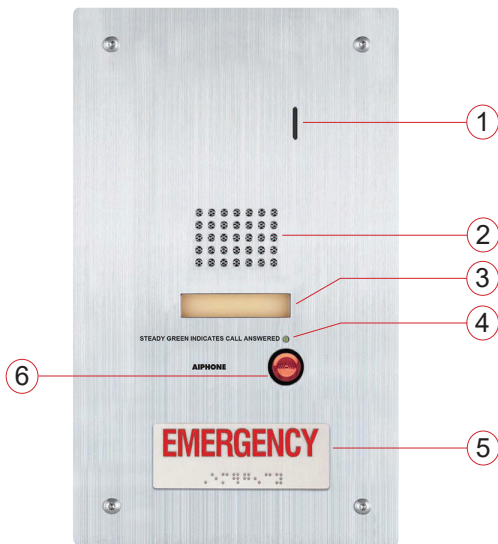
# IS-SS-RA-R

Stainless Steel Flush Mount Door Station  
with an Emergency Call Button

## -INSTRUCTIONS-

The IS-SS-RA-R is a stainless steel flush mount door station with an emergency call button. The unit is equipped with ADA compliant lettering and Braille signage for the emergency button. A call status indicator is included to meet ADA rescue assistance requirements. The IS-SS-RA-R must be programmed as an audio door station and can connect to any control unit in the IS system (IS-CCU, IS-SCU, or IS-RCU).

IS-SS-RA-R



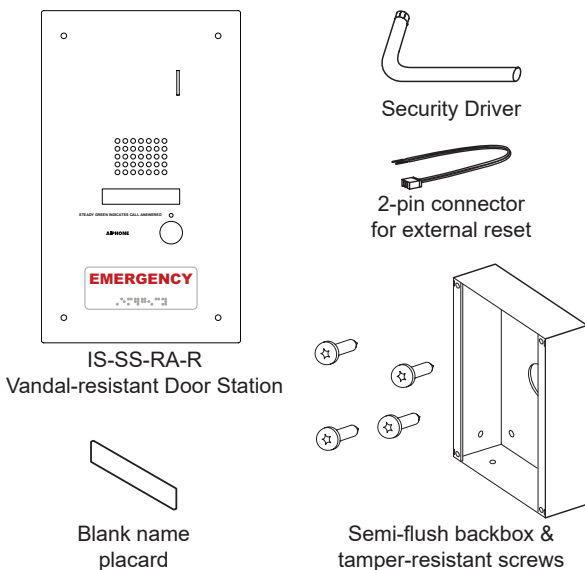
## NAMES & FUNCTIONS:

- |                 |                          |
|-----------------|--------------------------|
| 1. Microphone   | 4. Call status indicator |
| 2. Speaker      | 5. Signage with Braille  |
| 3. Name Placard | 6. Emergency button      |

## FEATURES:

- Audio communication with calling area
- Emergency call button
- ADA compliant lettering and Braille signage
- LED call status indicator
- Two programmable relay outputs for activation of external systems/devices
- Name placard
- Stainless steel faceplate with tamper resistant screws

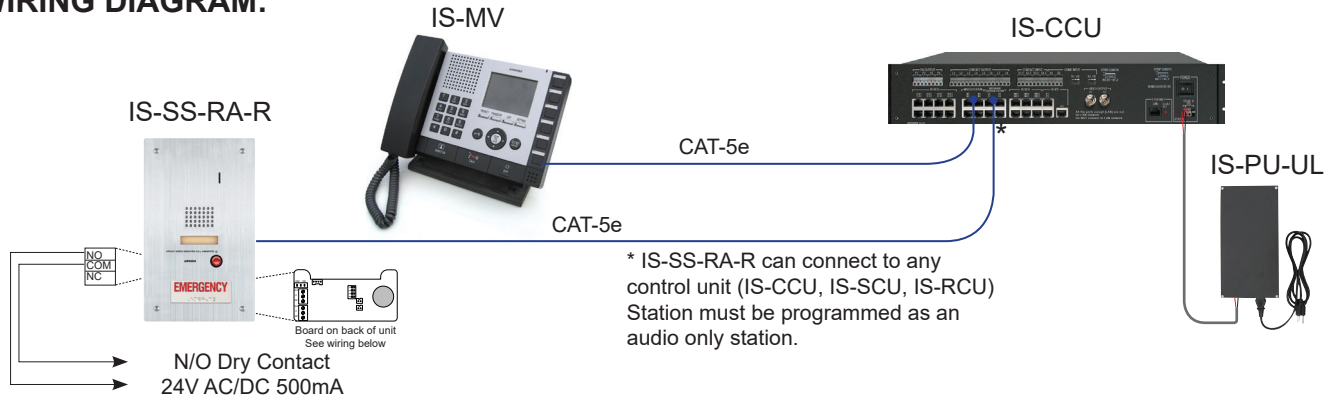
## PACKAGE CONTENTS:



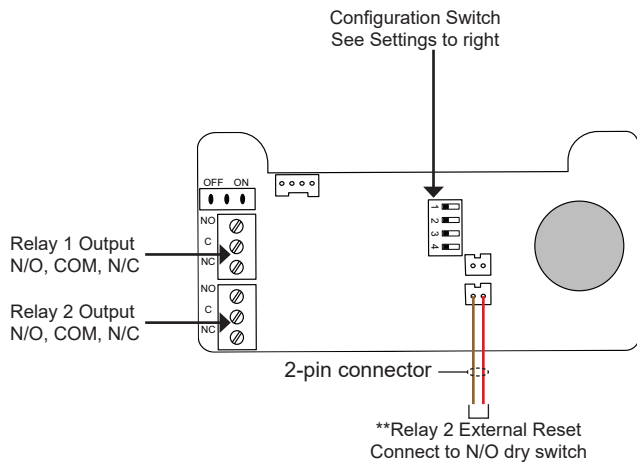
## INSTALLATION:

- For flush mounting, cut a hole in the wall and use supplied back box. Box dimensions are:  
10-1/2" H x 5-13/16" W x 1-3/4" D
- For surface mounting, use the SBX-IDVFRA surface mount box. This box can mount to a standard 1-gang box or to any flat surface.

## WIRING DIAGRAM:



## RELAY BOARD WIRING AND SETTINGS:



### Default Configuration when shipped

Relay 1 triggers on normal call, emergency call, and communication. Relay 1 remains on during communication.  
Relay 2 triggers on emergency call and remains on during communication.

Trigger Source	RY1 Triggered?	RY1 Remains ON During Talking?	RY2 Triggered?	RY2 Remains ON During Talking?	RY2 Requires Reset?
Normal Call	YES	YES	NO	N/A	N/A
Emergency Call	YES	YES	YES	YES	NO
Talking	YES	YES	NO	N/A	N/A
Door Release	NO	N/A	NO	N/A	N/A

### Optional Configuration

Relay 1 triggers on normal call, emergency call, and communication. Relay 1 remains on during communication.  
Relay 2 triggers on an emergency call and remains on during communication. Relay 2 requires reset.

Trigger Source	RY1 Triggered?	RY1 Remains ON During Talking?	RY2 Triggered?	RY2 Remains ON During Talking?	RY2 Requires Reset?
Normal Call	YES	YES	NO	N/A	N/A
Emergency Call	YES	YES	YES	YES	YES**
Talking	YES	YES	NO	N/A	N/A
Door Release	NO	N/A	NO	N/A	N/A

**Contact Technical Support if additional switch configurations are required.**

## SPECIFICATIONS:

Terminations:	RJ45 jack for audio Screw terminals for door release and relay outputs
Relay rating:	24V AC/DC 500mA on Door station, 24V AC/DC 1.0A on relay board
Operating Temp:	14° ~ 140°F / -10° ~ 60°C
Wiring Distance:	980' with Cat-5e/6 cable
Dimensions:	11-3/4" H x 7" W
w/SBX-IDVFRA:	11-13/16" H x 7-1/16" W x 3-5/16" D (top), 2-5/16" D (bottom)

### FCC WARNING:

This device complies with Part 15 of the FCC rules.

Operation is subject to the following two conditions:

- (1) This device may not cause harmful interference.
- (2) This device must accept any interference that may cause undesired operation.
  - For proper regulatory compliance, the drain wire should be disconnected at the power supply end of the cable.
  - Changes or modifications not expressly approved by the party responsible for compliance could void the user's authority to operate the equipment.