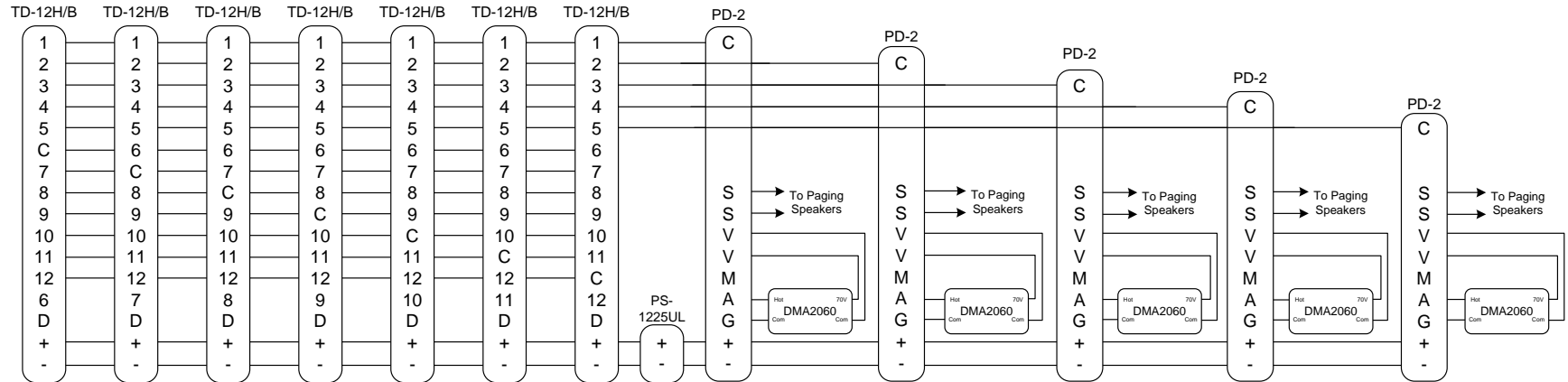


WIRING DIAGRAM

7 TD-12H/B & 5 PD-2



Connect A and G from the PD-2 to the Aux2 input on the DMA2060

Date: 053008JD