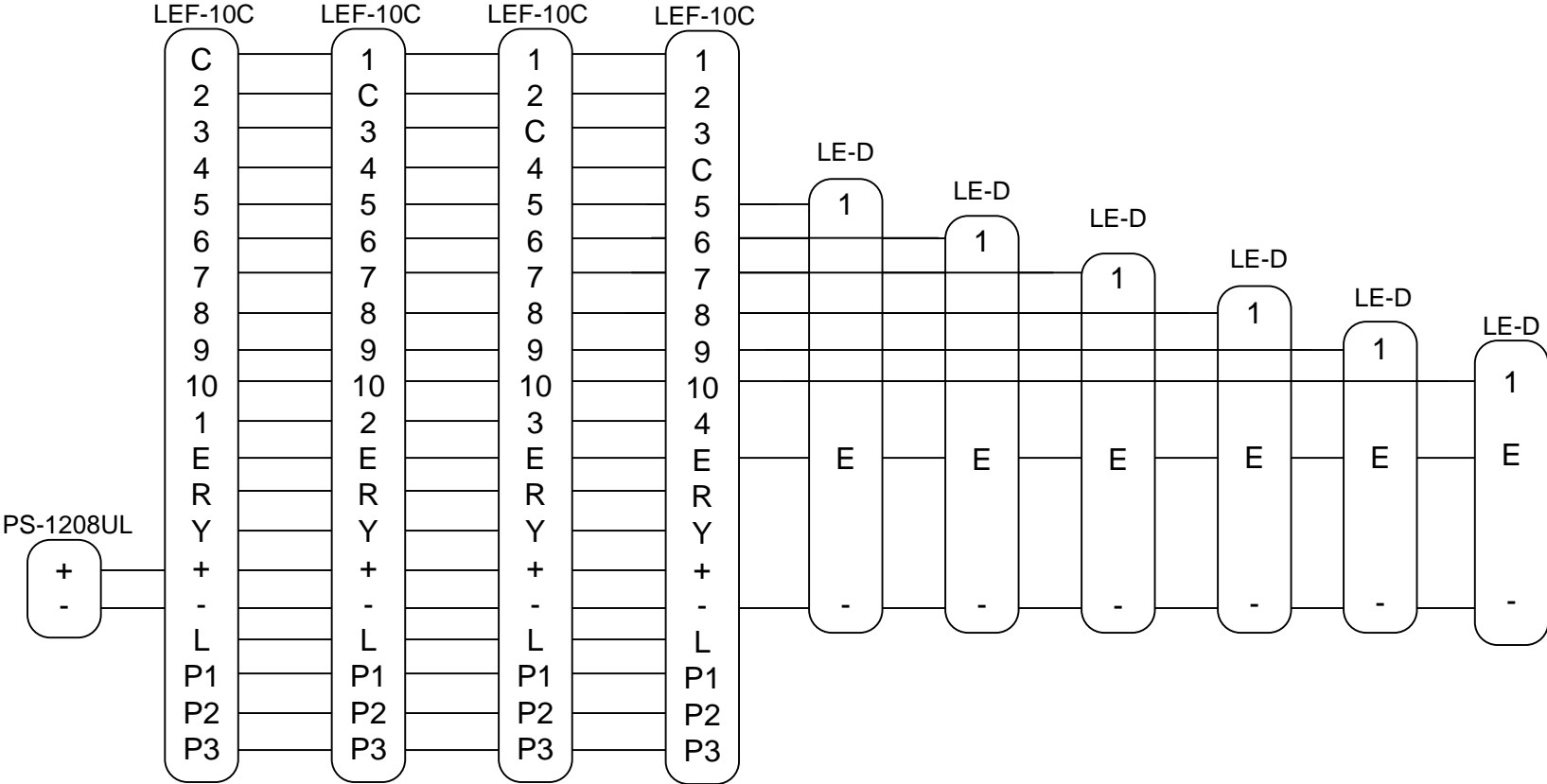


**WIRING DIAGRAM**

**4 LEF-10C, and 6 LE-D**



Date: 042299JF  
INCIDENT#