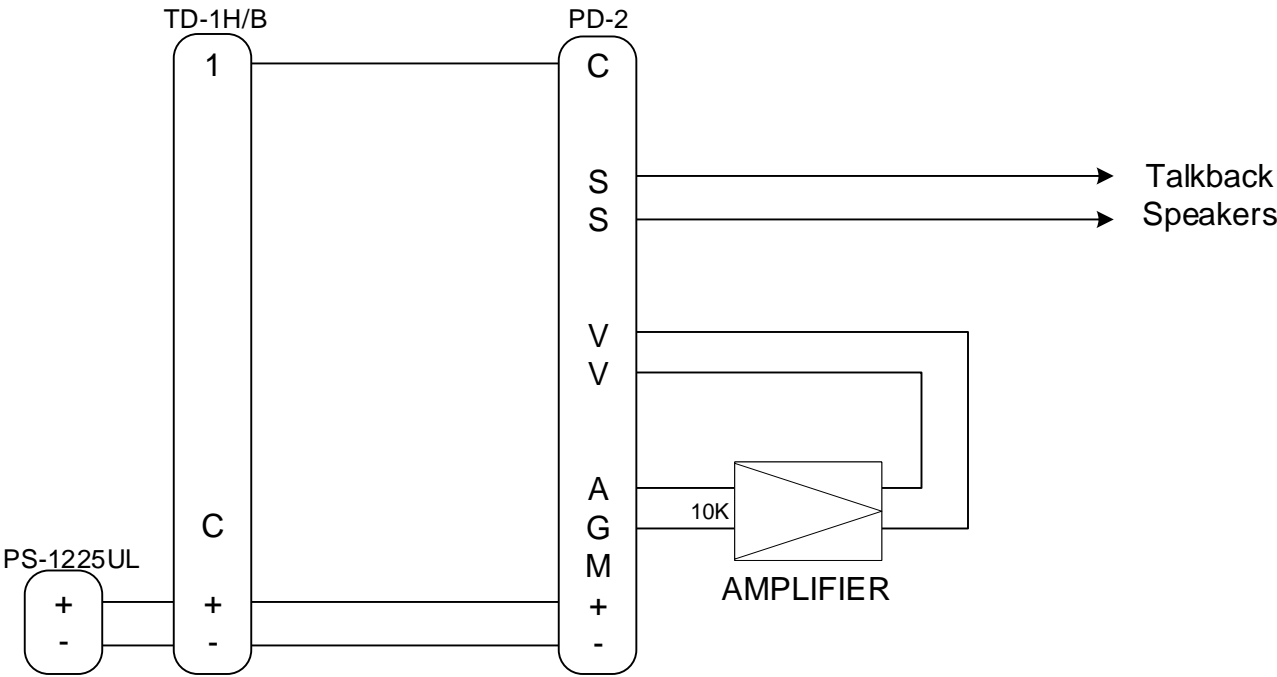


**WIRING DIAGRAM**

**TD-1H/B with PD-2 paging/talkback**



Stencil:  
Incident #:JOER-344015  
Date:010204