

# NDRM

## Rack Mount Communication and Access/Camera Control System

### DESCRIPTION:

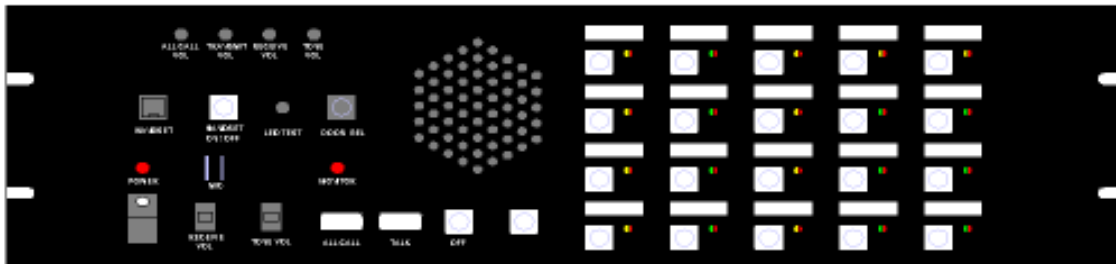
The NDRM Rack Mount Intercom System provides a convenient and reliable means to communicate and confirm access to secured areas from one central control office. The master station is equipped with communication and selective control of external devices for up to 20 locations. The add-on panel can accommodate up to 40 locations with selective control. Each panel occupies three rack spaces in a standard EIA 19" rack.

All of the controls for the system are located on the front of the master panel for easy access. A jack is provided for the modular handset (or telephone headset) for more private communication.

### FEATURES:

- 12- or 20-station Rack Mount Master Panel
- 20- or 40-station Add-on Panel
- Each panel occupies 3 rack spaces
- 4-station expansion modules to easily add station capacity to Master or Add-on Panel
- Expandable to 100 intercom stations with All Call
- Simplex open voice communication
- Modular phone jack for VOX handset (included)
- Intercom channels with LED status indication (blinking for call-in and steady while communicating)
- Built-in relays for selective door release and CCTV camera activation while in communication with a remote station
- Call-in LED and tone stay on until call is answered
- One master, or dual master w/NEW-5 per 5 subs

**NDRM-20 20-station Rack Mount Master Panel**

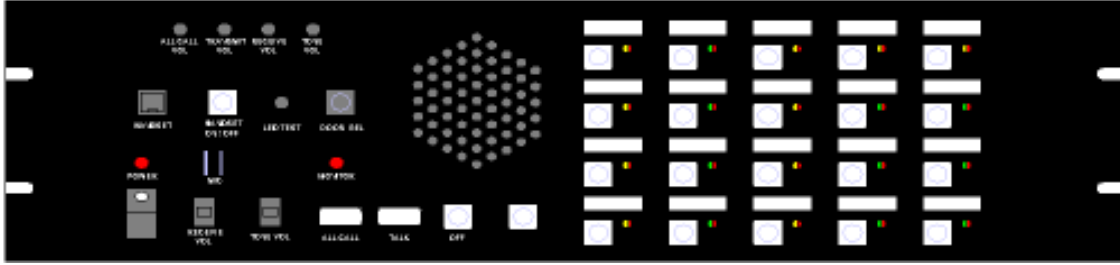


### SPECIFICATIONS:

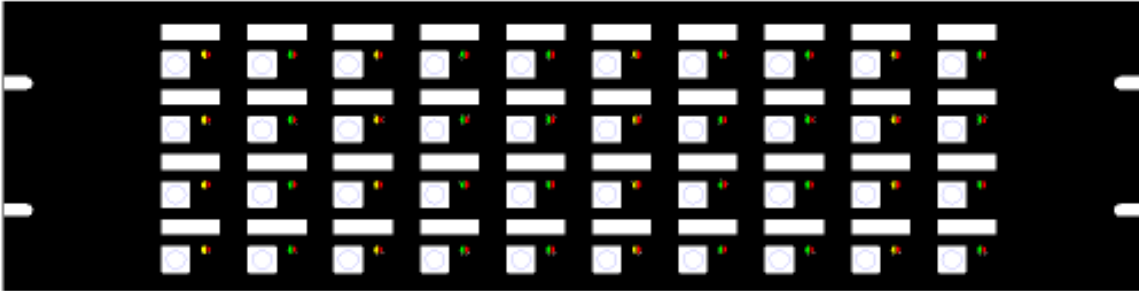
- Power Source: 24V DC. Use one PS-2420UL per master panel and each add-on panel.
- Current Consumption: Maximum 45W
- Power Output: 500mW per channel for intercom. 3W per 10 stations for All Call/BGM
- Calling: Pressing call button at remote activates tone and flashes yellow LED at master, remaining lit until answered. LED changes to steady yellow while communicating.
- Communication: Press-to-talk, release-to-listen at master, or voice actuated handset. Hands free at remote.
- Talk Channel: Single talk channel
- Wiring: 1 common wire plus 1 individual wire per standard sub station looped, or 2 wires homerun from each sub station. 2 Common + 1 individual for NE-NVP-2DC/B. Shielded cable is recommended. Use Aiphone #822202 (22AWG) or #821802 (18 AWG) 2-conductor wire. (Multi-conductor also available).
- Wiring Distance: 420' w/ 22AWG; 1000' w/ 18AWG
- Momentary Contact: N/O: 5A at 125VAC or 30VDC. N/C: 3A at 125/250VAC or 30VDC.
- Constant Contact: 2A at up to 200V DC or 250V AC.
- Mounting: Rack mount in standard 19" EIA rack, each panel occupying 3 rack spaces
- Dimensions (HxWxD): 5-1/4" x 19" x 10"

# NDRM Rack Mount Communication and Access/Camera Control System

## NDRM-20 20-Station MASTER PANEL



## NDA-40 40-Station ADD-ON PANEL



### MASTER STATIONS:

NDRM-12 12-call Rack Mount Master  
 NDRM-20 20-call Rack Mount Master

### ADD-ON PANELS:

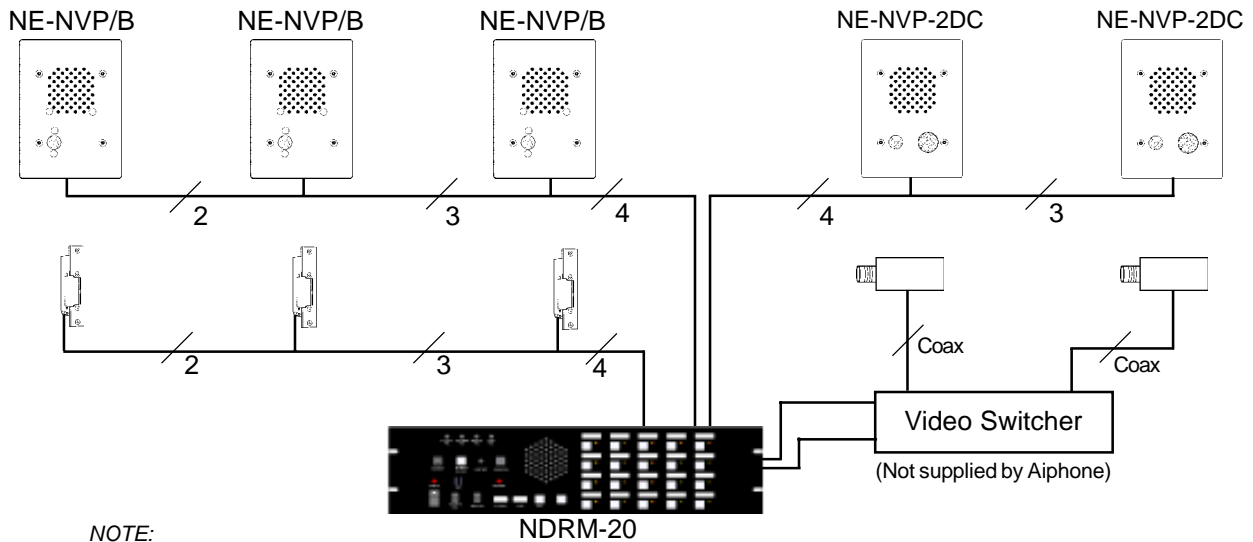
NDA-20 20-call Rack Mount Add-on Panel  
 NDA-40 40-call Rack Mount Add-on Panel

### ACCESSORIES:

NDI-4S 4-station Expansion Kit  
 (Add to NDRM-12 or NDA-20 for additional station capacity)  
 TBP-6 Terminal Back Plate  
 (Add when expanding NDA-20)

### SYSTEM LAYOUT EXAMPLE:

(Loop wiring method shown.  
 Otherwise, homerun 2 conductors from each remote.)



**NOTE:**  
 Power sources for intercom,  
 door strikes, and cameras  
 not shown.