

NDI-4S

4 Station Add-On Kit

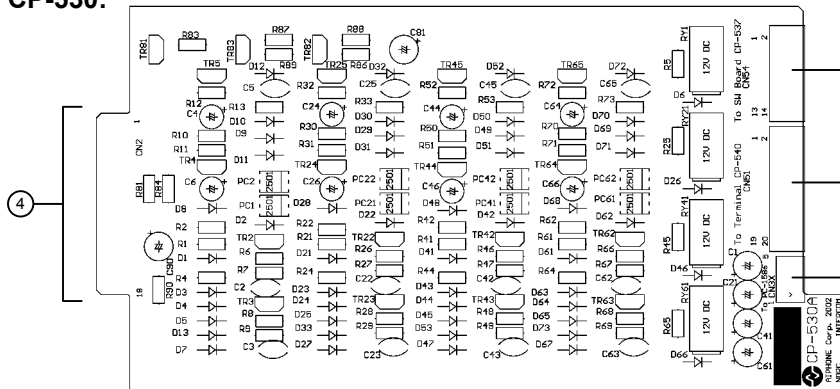
Kit Includes: CP-537, CP-530, CP-544, Connecting Cables (x2), Station Identification Sheet, Card Covers (x4), Screw Packet

- INSTRUCTIONS -

The NDI-4S, 4 Station Add-On Kit allows an NDRM master or NDA add-on panel to be expanded by four channels. The kit includes all required components. The master or add-on panel must have an available position for expansion and the terminal board assembly must have room to mount the additional sub station terminal board (CP-544).

1 NAMES & FEATURES

CP-530:

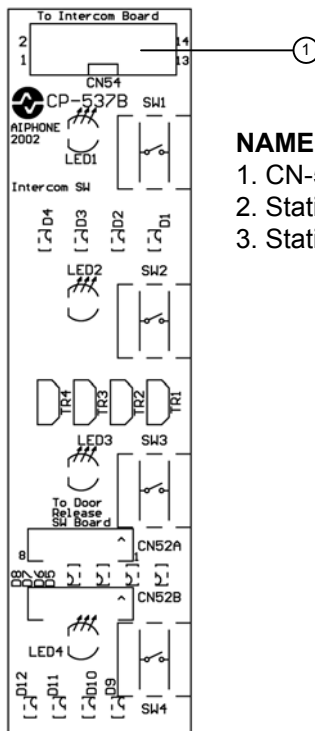


NAMES & FEATURES

1. CN-54 Connector to CP-537
2. CN-51 Connector to CP-544
3. CN-3X Connector to PC-1586
4. Card Edge Connector.

CP-537:

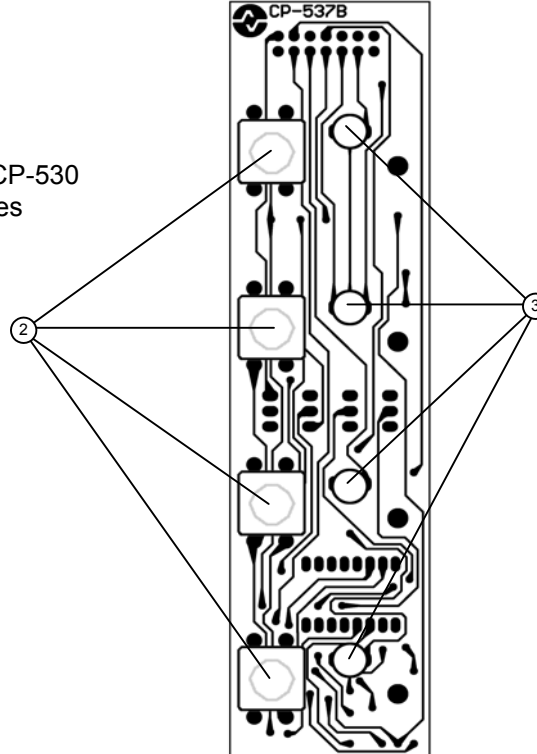
(Component Side View)



NAMES & FEATURES

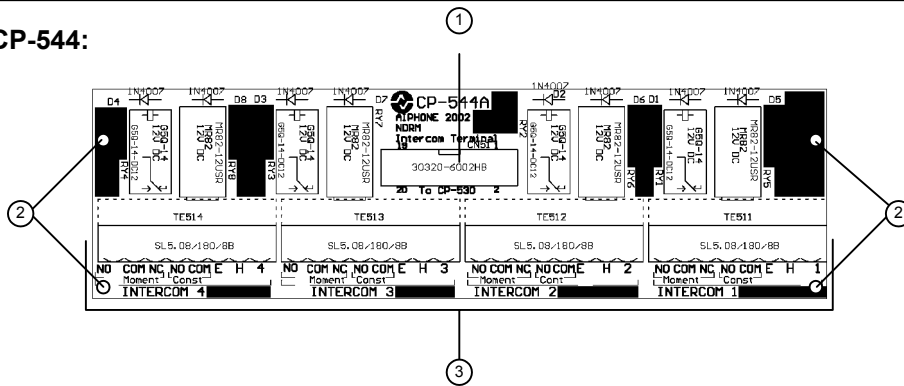
1. CN-54 Connector to CP-530
2. Station Select Switches
3. Station Select LED's

(Solder Side View)



1 NAMES & FEATURES (Cont.)

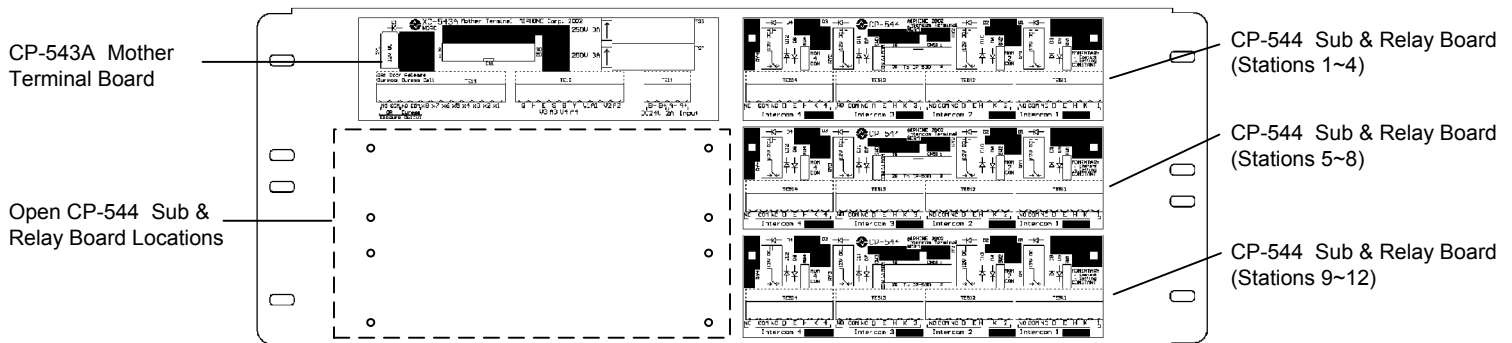
CP-544:



NAMES & FEATURES

1. CN-51 Connector to CP-530
2. Mounting Holes
3. Terminal connectors for subs and relay outputs

TERMINAL BOARD ASSEMBLY LAYOUT: (NDRM-12 Shown)



2 Installation Instructions

1. Power down system.
2. Remove four Allen screws on NDRM master face plate and open the unit.
3. Securely slide CP-530 into unit using guide rails.
4. Remove blank panel on NDRM master face plate.
5. Install CP-537 into position created by removal of blank panel. Secure using provided screws.
6. Connect any unused 5 pin connector (existing) from PC-1586 to CN-3X of CP-530
7. Connect 20 pin connector (supplied) to CN-51. Route cable through existing hole in NDRM master with other cables.
8. Connect 14 pin connector (supplied) from CN-54 of CP-530 to CN-54 of CP-537.
9. Close the NDRM face plate and secure using four Allen screws.
10. Mount CP-544 into open position of the Terminal Board Assembly using supplied screws. Label CP board as next consecutive number available.
11. Connect 20 pin connector (already connected internally to CN-51 of CP-530) to CN-51 of CP-544.
12. Connect sub stations to new terminal board using NDRM instructions.
13. Re-apply power to the system.

WARRANTY

Aiphone warrants its products to be free from defects of material and workmanship under normal use and service for a period of one year after delivery to the ultimate user and will repair free of charge or replace at no charge, should it become defective upon which examination shall disclose to be defective and under warranty. Aiphone reserves unto itself the sole right to make the final decision whether there is a defect in materials and/or workmanship; and whether or not the product is within the warranty.

This warranty shall not apply to any Aiphone product that has been subjected to misuse, neglect, accident, or to use in violation of instructions furnished, nor extended to units which have been repaired or altered outside of the factory. This warranty covers bench repairs only, and any repairs must be made at the shop or place designated in writing by Aiphone.

Aiphone will not be responsible for any costs incurred involving on-site service calls.

Aiphone Communication Systems
1700 130th Ave. N.E.
Bellevue, WA 98005
(425) 455-0510
FAX (425) 455-0071

Toll Free Technical Support
1-800-692-0200
TOLL FREE FAX LINE:
1-800-832-3765
E-Mail: tech-serv@aiphone.com

Pg. 2
NDI4S Instr.
031003BKJS