



LS-NVP/C

Vandal Proof Sub Station for LAF-C, LEF, LEM, AP-M, MP-S Systems

SBX-NVP

Surface Mount Box for LS-NVP/C

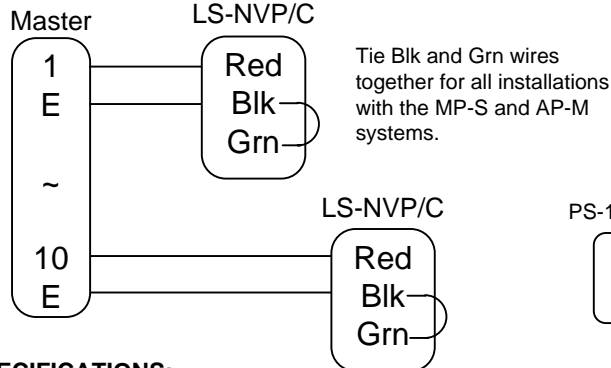
- INSTRUCTIONS -

The LS-NVP/C is a vandal proof and weather resistant sub station designed for use with the systems listed above. It's constructed of 11 gauge carbon steel with a white powder-coated finish. The LS-NVP/C mounts vertically, either flush into a 3-gang masonry box, or surface mounted with the SBX-NVP. Each unit includes tamper proof screws and tool for installation.

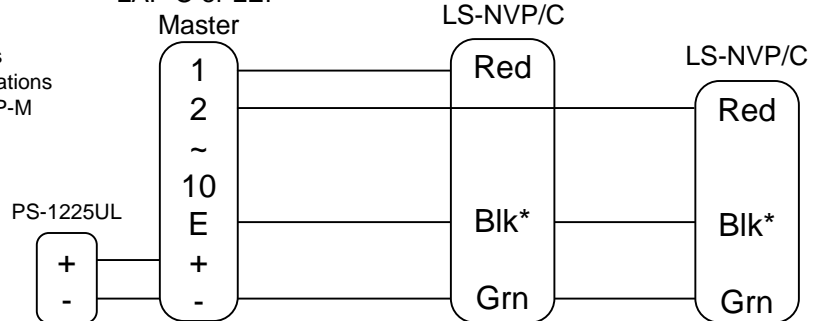


WIRING DIAGRAMS:

AP-M or MP-S



LAF-C or LEF



SPECIFICATIONS:

- Power Source: Supplied by master station
- Speaker: 20 ohms, 2.5" diameter, water proof and puncture resistant, 2.4 oz. ceramic magnet
- Call Button: SPST call button. Call tone rings at master as long as button is held down. LED will remain lit for approx. 20 seconds (LEF, LEM-3, MP-3S, AP-5/10M only). Call tone only on LEM-1DL, LEM-1, and MP-1S.
- Communication: Hands free at sub. Master is push-to-talk, release-to-listen.
- Faceplate: 11 gauge carbon steel with powder-coated white baked epoxy finish
- Mounting: Flush mount into a 3-gang masonry type box. (Raco model 692 or equivalent.) Surface mount into SBX-NVP, sold separately.
- Mounting Hardware: T10 Torx tamper proof screws and tool included (6x32 for use with flush gang box)
- Terminations: Color-coded prewired pigtails
- Wiring: 2 conductors in a 1-master LEF, MP-S, or AP-M system. 3 conductors in multi-master LEF. Shielded cable is recommended. Use Aiphone #822202 for LEM or MP-S. Use #822202 or #822203 for LEF. Use #832202 for AP-M systems.
- Wiring Distance: See system that unit is being used with for distance specifications.
- Dimensions (H x W x D): LS-NVP/C alone: 7-1/2" x 5-1/2" x 2". With SBX-NVP: 8-5/8" x 6-5/8" x 2-1/4"
- Mounting Depth: Provide mounting box with a minimum depth of 2-1/2" to allow space for internal components.

Aiphone Communication Systems
 1700 130th Ave. N.E.
 Bellevue, WA 98005
 (425) 455-0510
 FAX (425) 455-0071

TOLL FREE TECHNICAL SUPPORT: (800) 692-0200
TOLL FREE FAX LINE: (800) 832-3765
E-MAIL: tech-serv@aiphone.com

LS-NVP/C Instr.
 0207jds