

LE-SSV

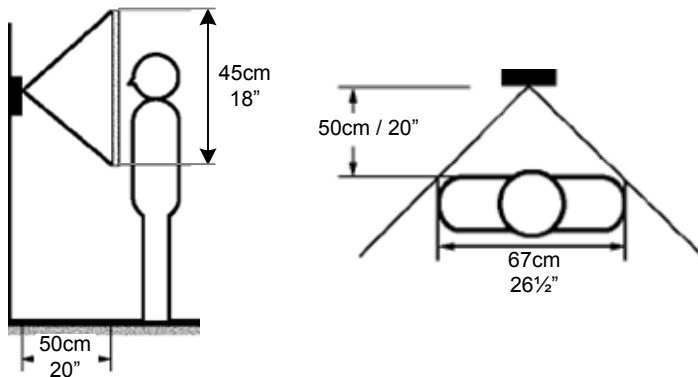
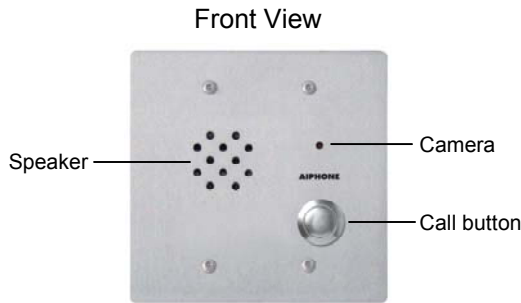
Vandal Resistant Sub Station with built in Color Pinhole Camera for use with AP-M, LAF-C, LDF-C, LEF, LEM, MP-S Systems

- INSTRUCTIONS -

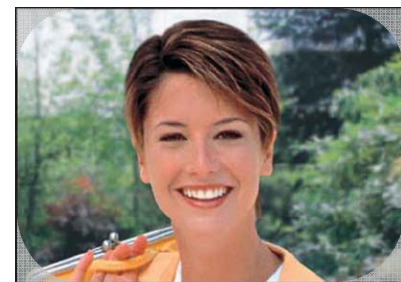
The LE-SSV is a 2-gang stainless steel vandal proof and weather resistant sub station designed for use with the systems listed above. It is constructed of 12 gauge stainless steel and has a stand alone color camera built in. The unit either flush mounts into a 2-gang box, or surface mounts using the SBX-2G. Each unit includes a 12V DC power transformer for the camera, tamper proof screws, and a tool for installation.

INSTALLATION:

1. For flush mounting, install sub station in standard 2-gang electrical box with minimum 2-1/2" depth.
2. For surface mounting, use the SBX-2G surface mount enclosure (sold separately).
3. **Only the 12V DC power supply included should be used to power the LE-SSV camera.**
4. **IMPORTANT!** These units are designed for use in normal weather conditions, and to allow drainage and evaporation of moisture that naturally gets into the unit. **Do not apply caulking or silicone sealant around the unit when installing, and do not use weather stripping around the perimeter of the box when mounting.** If sealing the unit is required, the bottom must remain unsealed. Sealing the unit will prevent or inhibit moisture from dissipating from inside the unit, which may cause corrosion or deterioration of the internal components over time.



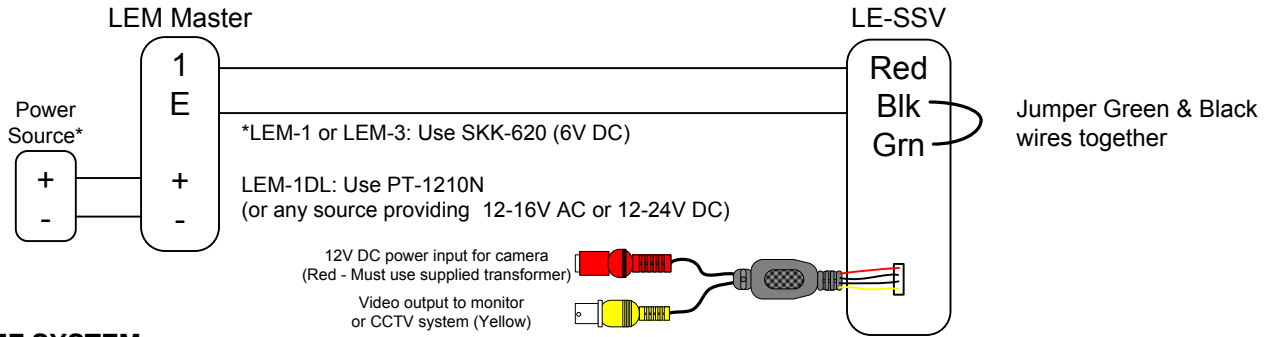
The view achieved if the subject is 20" from the camera is: 18" Vertically and 26½" Horizontally



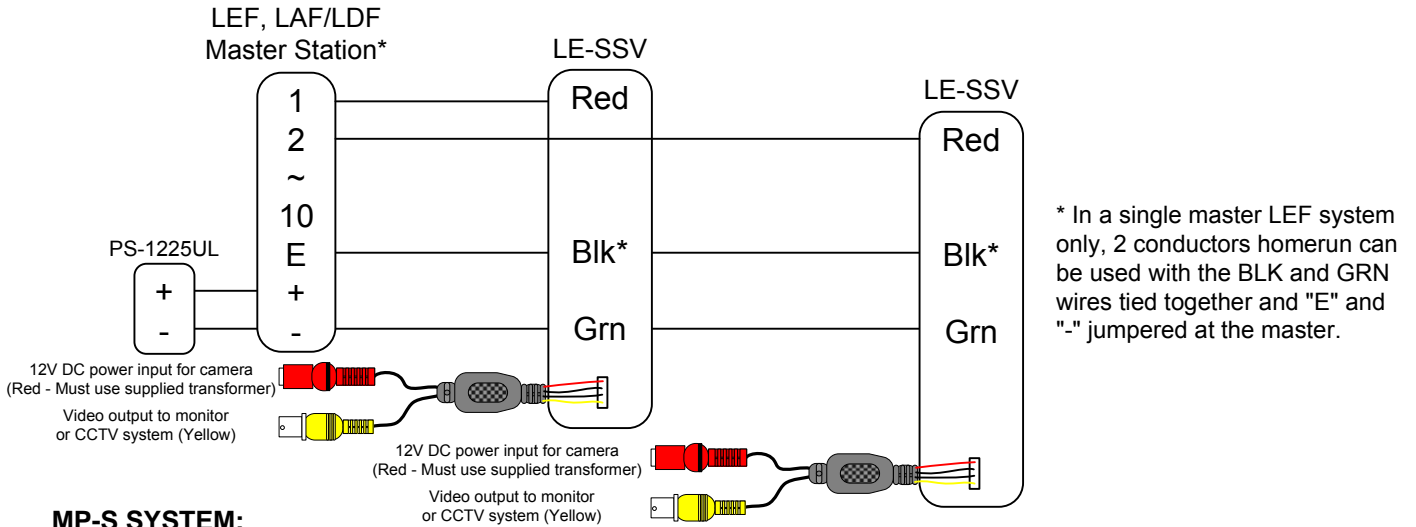
Transparent corner shadowing on the picture is normal.

WIRING DIAGRAMS:

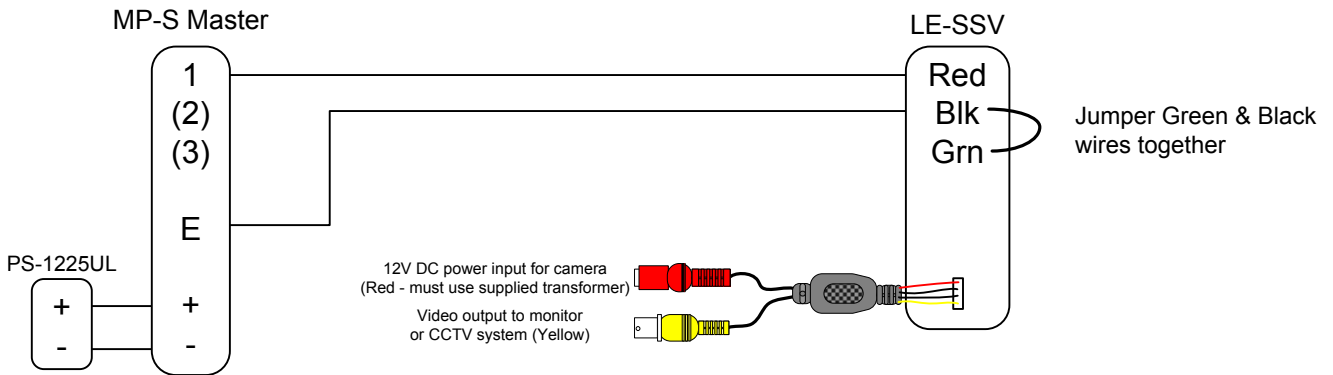
LEM SYSTEM:



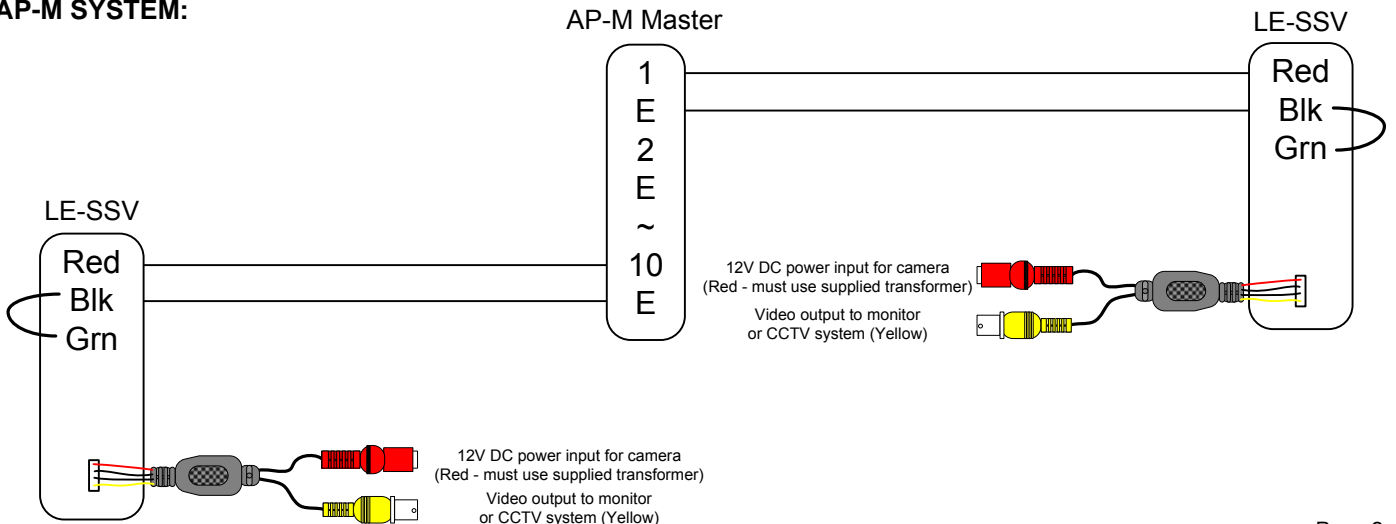
LEF SYSTEM:



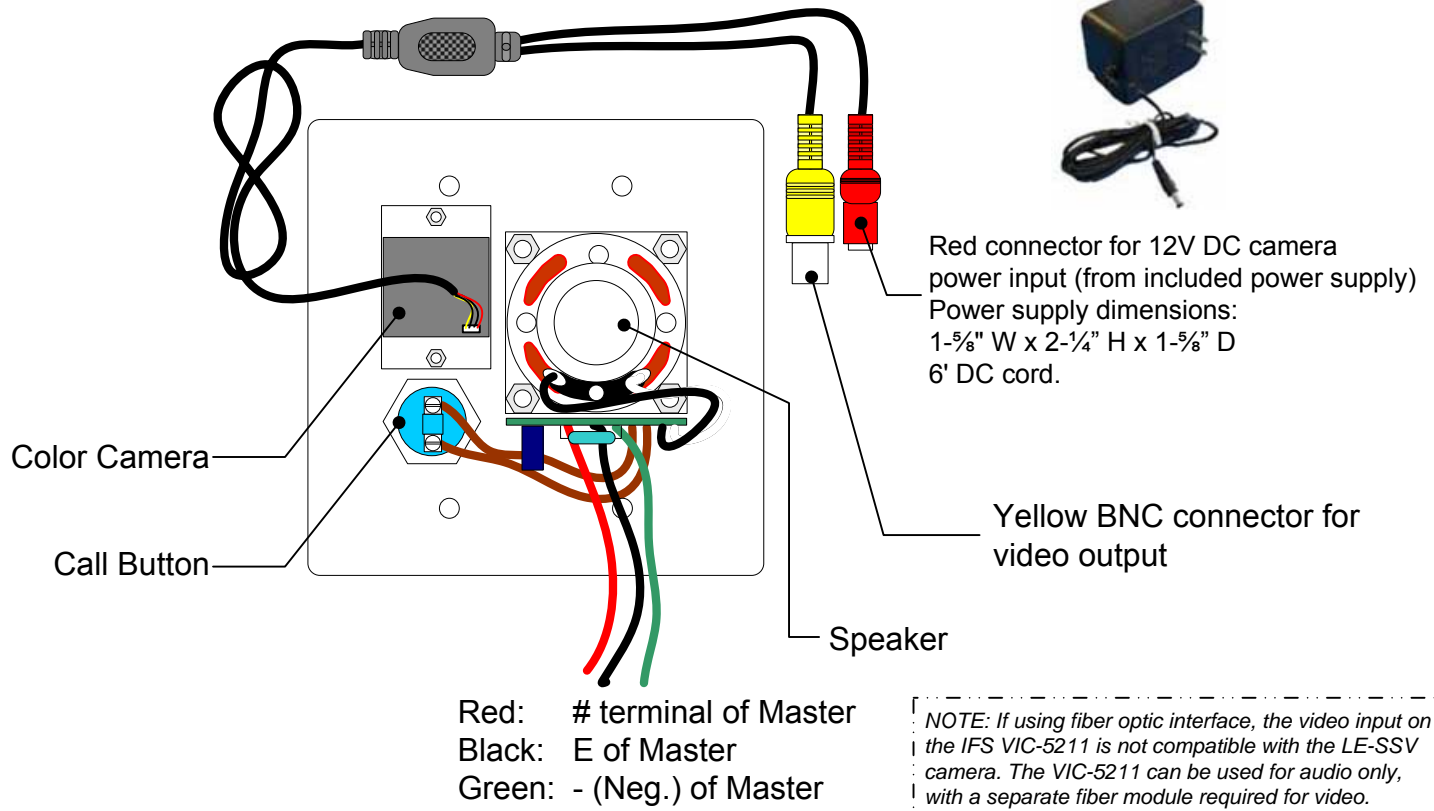
MP-S SYSTEM:



AP-M SYSTEM:



LE-SSV BACK VIEW:



Intercom wiring must be run at least 20" away from any AC wiring, fluorescent lighting, dimmer switches, or any other electronic device that may cause interference.

SPECIFICATIONS:

Audio Power Source:	Supplied by master station
Speaker:	20 ohms, 4W, 2" diameter, water proof and puncture resistant, 2.4 oz. magnet
Call Button:	SPST call button, momentary activation. Limited stop button
Call Annunciation:	Call tone rings at master as long as button is held down. LED will remain lit for approx. 20 seconds (LEF, LEM-3, MP-3S, AP-5/10M only). Call tone only on LEM-1DL, LEM-1, and MP-1S.
Communication:	Hands free at sub. Master is push-to-talk, release-to-listen.
CCTV Camera Output:	75 Ohm, 1Vp-p, NTSC, DC-coupled
Iris Control:	Auto
Minimum Illumination:	1.0 lux
Camera image sensor:	1/3" CCD
Focal Length:	4.3mm Cone Pinhole Lens (78°)
Effective Pixels:	510(H) x 492(V) NTSC
Camera Power Source:	12V DC, 100mA (via included power supply)
MTBF:	(Mean Time Before Failure) 80,000 Hours
Faceplate:	12 gauge stainless steel
Mounting:	Flush mount into a 2-gang box (minimum 2-1/2" depth) or surface mount into SBX-2G (sold separately) Tamper proof screws included (6x32 for use with flush 2-gang box) with T-10 TORX bit When using SBX-2G, use the hardware included with that unit.
Terminations:	Color-coded prewired pigtailed. Red wire = "1"; Black wire = "E"; Green wire = negative; Red connector = 12VDC power; Yellow connector = 75 Ohm / 1Vp-p video output (BNC).
Operating Temperature:	14°F ~ 140°F (-10°C ~ 60°C)
Audio Wiring:	2 conductors in a 1-master LEF, MP-S, or AP-M system. 3 conductors in a multi-master LEF system. Shielded cable is recommended. Use Aiphone #822202 for LEM or MP-S. Use #822202 or #822203 for LEF. Use #832202 for AP-M systems.
Audio Wiring Distance:	See system that unit is being used with for distance specifications.
Video Wiring:	Independent BNC connection from substation pigtail to destination video device.
Dimensions (H x W x D):	LE-SSV alone: 4-11/16" x 4-11/16" x 2" With SBX-2G: 4-3/4" x 4-7/8" x 3-5/8" (Top) 2-3/8" (Bottom)